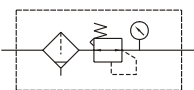


MAFR401 series

AIR UNITS (F.R. UNIT)



Symbol:



Specification:

Model	MAFR401		
Bore No.	8A	10A	15A
Port size	PT 1/4	PT 3/8	PT 1/2
Medium	Air		
Operating pressure range	0~15 kgf/cm ² (0~1.5 MPa)		
Test pressure	20 kgf/cm ² (2 MPa)		
Regulated pressure range	Standard type: 1~8.5 kgf/cm ² (0.1~0.85 MPa)		
	High pressure type: 1~15 kgf/cm ² (0.1~1.5 MPa)		
Ambient temperature	- 5~ + 60°C (No freezing)		
Filter Element	Standard: 40 μm Option: 5 μm		
Attachment	Pressure gauge (PG-20), L-type bracket		
Weight	800 g		

※ Standard Unit contains semi-auto-drain function when operating pressure below 0.5kgf/cm².

Order example:

MAFR401 - 8A - [] - [] - BSP

MODEL

BORE SIZE

8A: PT 1/4
10A: PT 3/8
15A: PT 1/2

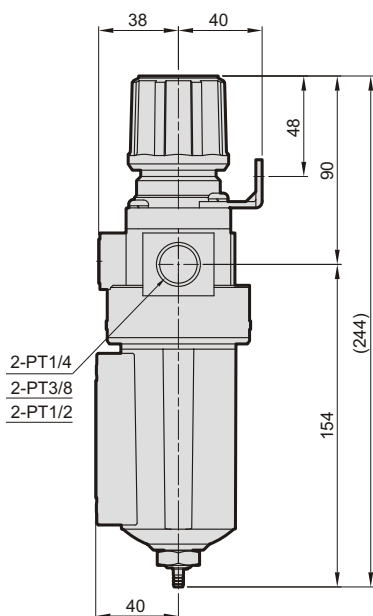
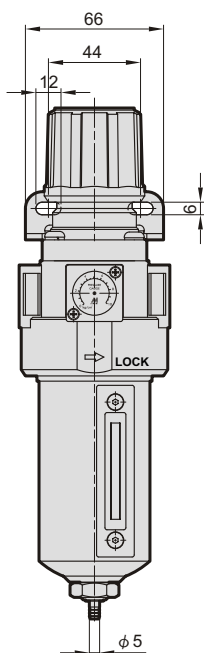
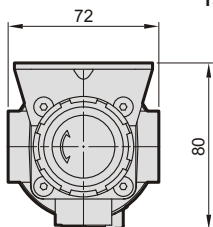
FILTER ELEMENT

Blank: 40 μm
5u: 5 μm

PORT THREAD

Blank: PT thread
BSP: BSP thread
NPT: NPT thread

C: external pressure gauge (PG-40)
D: auto drain valve
H: high pressure type
P: pressure switch



Flow feature:

