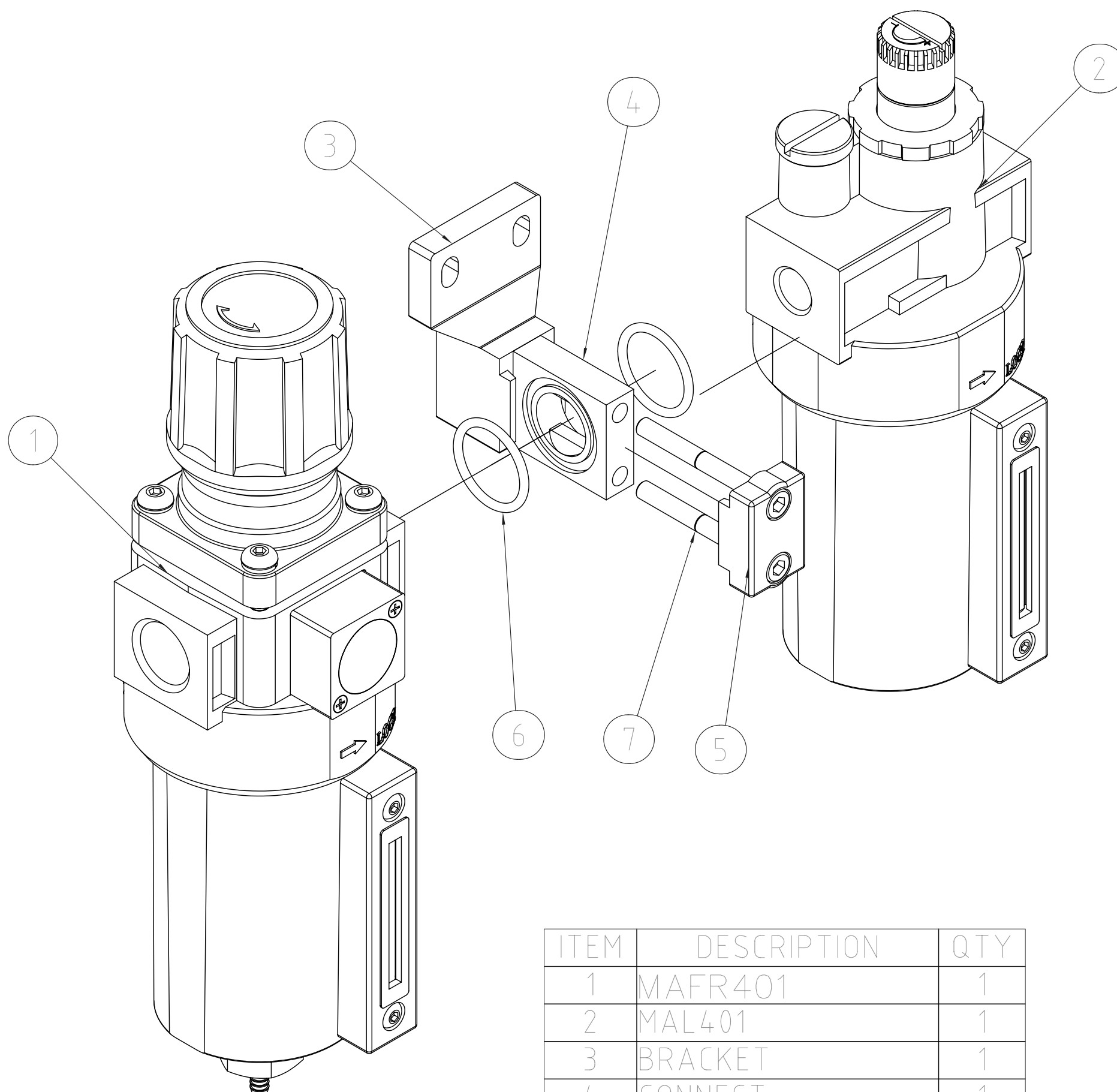


MACP401 series AIR UNIT



ITEM	DESCRIPTION	QTY
1	MAFR401	1
2	MAL401	1
3	BRACKET	1
4	CONNECT	1
5	ATTACHMENT	1
6	O-Ring	2
7	Head Cap Screw	2