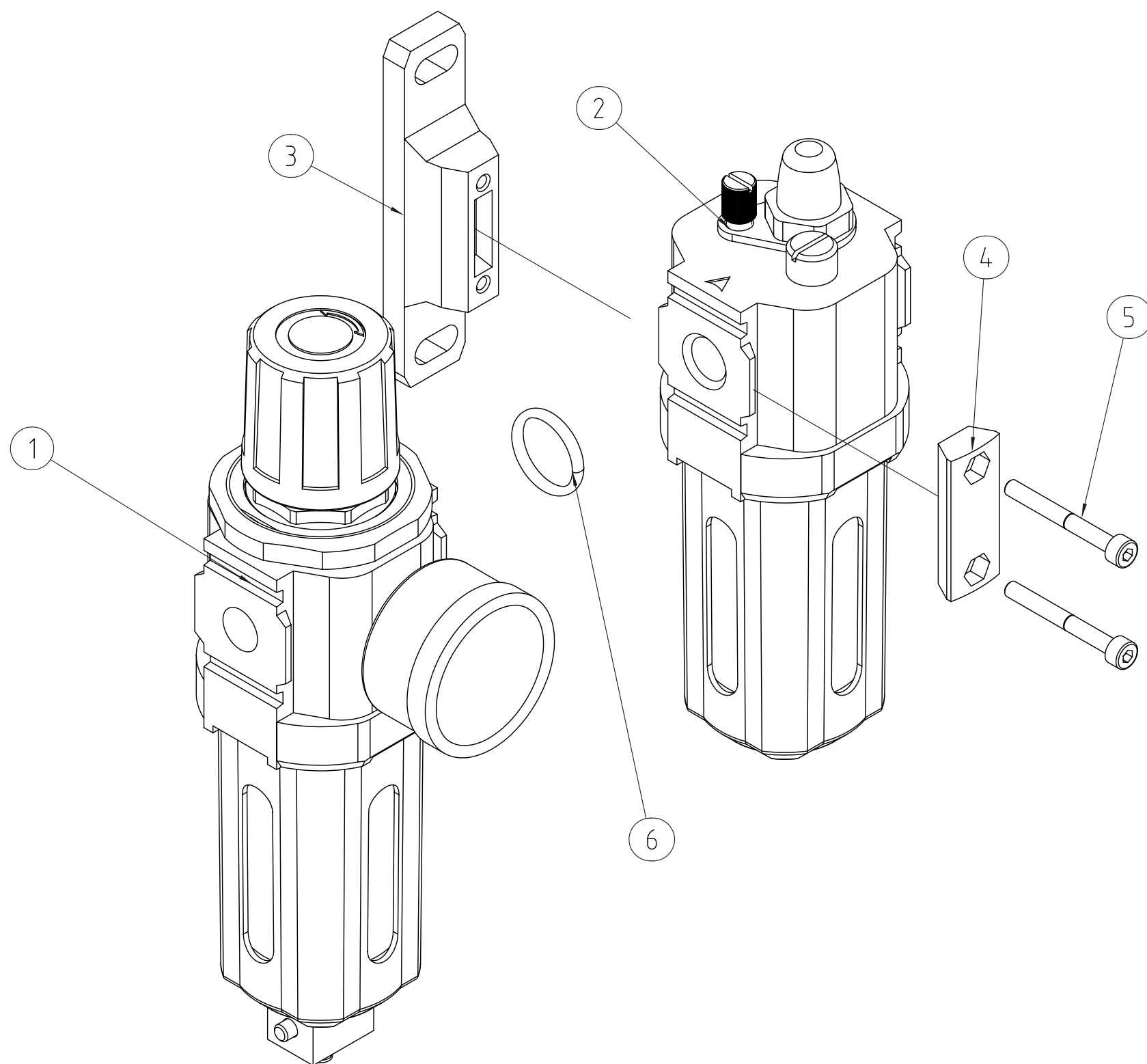


# MACP300 series AIR UNIT



ITEM	DESCRIPTION	QTY
1	MAFR300	1
2	MAL300	1
3	T BRACKET	1
4	ATTACHMENT	1
5	Hexagon Socket Head Cap Screw	2
6	O-RING	1