

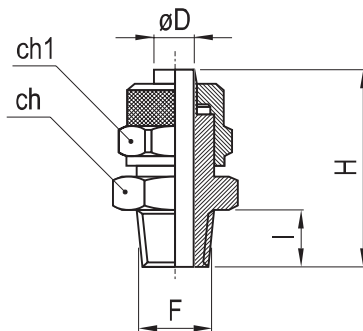
raccordi a calzamento

quick fittings фитинги с накидной гайкой



RZ100

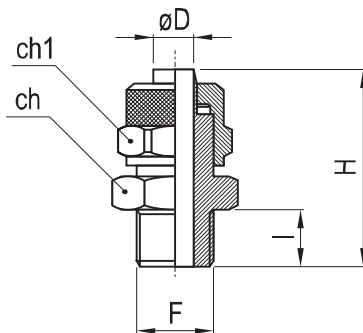
Raccordo diritto maschio conico
Straight male fitting, with conic thread
Фитинг прямой с конической резьбой



tubo (øD) tube трубка	F	I	H	ch1	ch	confez. package упак.	codice code код
4/2.7	R1/8"	8	23.8	8	12	50	36.429.0
5/3	R1/8"	8	25	8	12	50	36.430.0
6/4	R1/8"	8	27.5	12	12	50	36.431.0
6/4	R1/4"	11	31	12	14	50	36.432.0
6/4	R3/8"	11.5	31.5	12	17	50	36.433.0
8/6	R1/8"	8	27.5	14	12	50	36.434.0
8/6	R1/4"	11	31	14	14	50	36.435.0
8/6	R3/8"	11.5	31.5	14	17	50	36.436.0
8/6	R1/2"	14	34.5	14	22	50	36.437.0
10/8	R1/8"	8	29.5	16	14	50	36.438.0
10/8	R1/4"	11	32.5	16	14	50	36.439.0
10/8	R3/8"	11.5	33	16	17	25	36.440.0
10/8	R1/2"	14	36	16	22	25	36.441.0
12/10	R3/8"	11.5	34.5	18	17	20	36.442.0
12/10	R1/2"	14	37.5	18	22	20	36.443.0
15/12.5	R1/2"	14	39.5	22	22	10	36.444.0

RZ120

Raccordo diritto maschio cilindrico
Straight male fitting, with cylindric thread
Фитинг прямой с цилиндрической резьбой



tubo (øD) tube трубка	F	I	H	ch1	ch	confez. package упак.	codice code код
5/3	G1/8"	6	23	8	14	50	36.446.0
6/4	G1/8"	6	25.5	12	14	50	36.447.0
6/4	G1/4"	8	28	12	17	50	36.448.0
6/4	G3/8"	9	29	12	19	50	36.449.0
8/6	G1/8"	6	25.5	14	14	50	36.450.0
8/6	G1/4"	8	28	14	17	50	36.451.0
8/6	G3/8"	9	29	14	19	50	36.452.0
10/8	G1/4"	8	29.5	16	17	50	36.455.0
10/8	G3/8"	9	30.5	16	19	25	36.456.0
12/10	G3/8"	9	32	18	19	20	36.458.0
12/10	G1/2"	10	33.5	18	24	20	36.459.0
15/12.5	G1/2"	10	35.5	22	24	10	36.460.0