

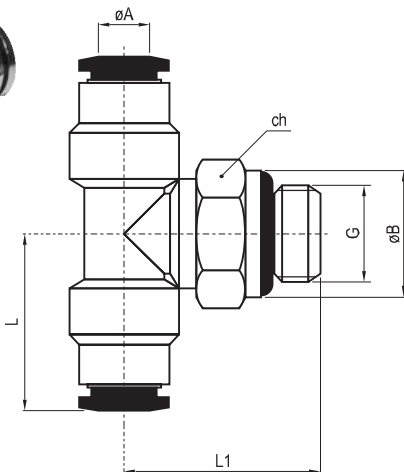
# raccordi automatici in ottone

push-in fittings фитинги цанговые быстроразъёмные



## RP215

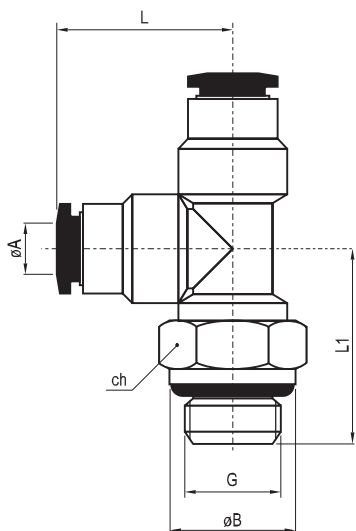
Raccordo a T orientabile maschio cilindrico  
Swivel T-fitting, cylindric thread on the central leg  
Íî âî ?î of ué O-î á?ací ué ðeoeí a n áî eí âî é  
?açúâí é e óíeí of eoaéúí ui eí èüöí i



tubo (øA) tube ø?óáea	G	øB	L	L1	ch	confez. package óíae.	codice code eí ä
4	M5	8	17.5	16.5	9	50	36.208.0
4	G1/8"	13	17.5	20	13	50	36.209.0
4	G1/4"	16	19	24	13	50	36.210.0
6	G1/8"	13	21	20	13	50	36.211.0
6	G1/4"	16	21	24	13	50	36.212.0
8	G1/8"	13	23	20	13	50	36.213.0
8	G1/4"	16	23	24	13	50	36.214.0
8	G3/8"	20	25.5	25.5	13	50	36.215.0
10	G1/4"	16	25.5	28	16	50	36.216.0
10	G3/8"	20	25.5	29	16	50	36.217.0
12	G1/4"	16	27	30.5	16	50	36.218.0
12	G3/8"	20	27	28.5	20	25	36.219.0

## RP225

Raccordo a T orientabile maschio laterale cilindrico  
Swivel T-fitting, cylindric thread on the lateral leg  
Íî âî ?î of ué O-î á?ací ué ðeoeí a n áî eí âî é  
ðeééí á?e=aneí é ?açúâí é e óíeí of eoaéúí ui eí èüöí i



tubo (øA) tube ø?óáea	G	øB	L	L1	ch	confez. package óíae.	codice code eí ä
4	M5	8	17.5	16.5	9	50	36.220.0
4	G1/8"	13	17.5	20	13	50	36.221.0
4	G1/4"	16	19	24	13	50	36.222.0
6	G1/8"	13	19.5	20	13	50	36.223.0
6	G1/4"	16	21	24	13	50	36.224.0
8	G1/8"	13	23	20	13	50	36.225.0
8	G1/4"	16	23	24	13	50	36.226.0
8	G3/8"	20	25.5	25.5	13	50	36.227.0
10	G1/4"	16	25.5	24	16	50	36.228.0
10	G3/8"	20	25.5	28	16	50	36.229.0
12	G1/4"	16	27	30.5	16	50	36.230.0
12	G3/8"	20	27	28.5	20	25	36.231.0