

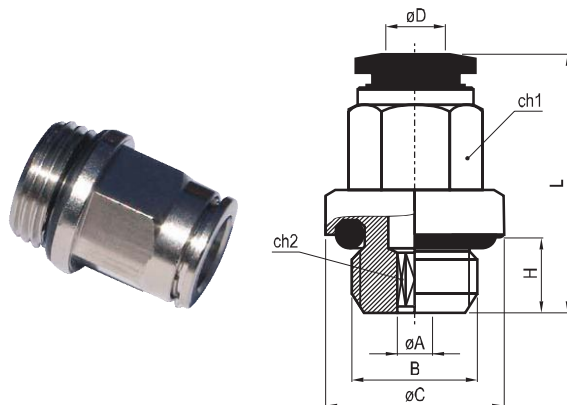
# raccordi automatici in ottone

push-in fittings фитинги цанговые быстроразъёмные



## RP020

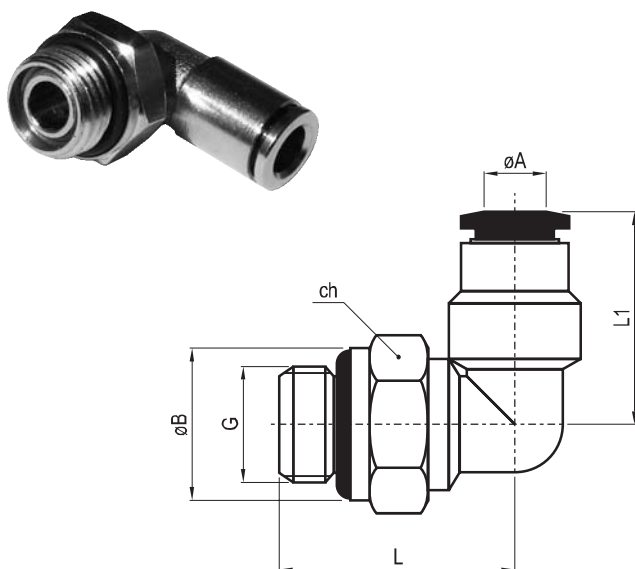
Raccordo diritto maschio cilindrico  
Straight male fitting, with cylindric thread  
Όμοειά ι? υίί έ ν όεεί έ ά? ε+ανεί έ ?αυάί έ ε  
όίεί ό έοαέύί υί έί έυόί ι



tubo (oD) tube ο?όάεα	B	oA	oC	H	L	ch1	ch2	confez. package όίαιε.	codice code εί ά
4	M5	2.6	9	4	20.5	-	2.5	50	36.001.0
4	G1/8"	2.6	13.5	6	20	9	2.5	50	36.002.0
4	G1/4"	2.6	17	8	21	9	2.5	50	36.003.0
5	M5	2.6	9.5	4	22	-	2.5	50	36.004.0
5	G1/8"	4.2	13.5	6	22	10	4	50	36.005.0
5	G1/4"	4.2	17	8	22	10	4	50	36.006.0
6	M5	2.6	10.5	4	22.5	-	2.5	50	36.007.0
6	M12x1.25	4.2	16	8	24	11	4	50	36.1375.0
6	M12x1.5	4.2	16	8	24	11	4	50	36.1376.0
6	G1/8"	4.2	13.5	6	24	11	4	50	36.008.0
6	G1/4"	4.2	17	8	24	11	4	50	36.009.0
8	G1/8"	5.2	13	6	26.5	13	5	50	36.010.0
8	G1/4"	6.2	17	8	25	13	6	50	36.011.0
8	G3/8"	6.2	20	9	25	13	6	50	36.012.0
10	G1/4"	7.3	16	8	29.5	16	7	50	36.013.0
10	G3/8"	8.3	21	9	29.5	16	8	50	36.014.0
12	G1/4"	7.3	16	8	31.5	18	7	50	36.015.0
12	G3/8"	10.3	21	9	31	18	10	25	36.016.0
12	G1/2"	10.3	24	11	31	18	10	25	36.017.0
14	G3/8"	10.3	21	9	34	21	10	25	36.018.0
14	G1/2"	12.3	25	11	34	21	12	25	36.019.0

## RP115

Raccordo a L orientabile maschio cilindrico  
Swivel L-fitting with cylindric thread  
Ιί άί ?ί όί υέ L-ί ά? αί υέ όοεί έ α ν όεεί έ ά? ε+ανεί έ  
?αυάί έ ε όίεί ό έοαέύί υί έί έυόί ι



tubo (oA) tube ο?όάεα	G	oB	L1	L	ch	confez. package όίαιε.	codice code εί ά
4	M5	8	17	14.5	9	50	36.232.0
4	G1/8"	13	17	20	13	50	36.233.0
4	G1/4"	16	17	24	13	50	36.234.0
6	M5	8	21	14.5	9	50	36.235.0
6	M12x1.25	16	19	25	13	50	36.1377.0
6	M12x1.5	16	19	25	13	50	36.1378.0
6	G1/8"	13	21	20	13	50	36.236.0
6	G1/4"	16	21	24	13	50	36.237.0
8	G1/8"	13	24	20	13	50	36.238.0
8	G1/4"	16	24	24	13	50	36.239.0
8	G3/8"	20	24	25.5	13	50	36.240.0
10	G1/4"	16	27	24	16	50	36.241.0
10	G3/8"	20	27	28	16	50	36.242.0
10	G1/2"	25	27	30	16	25	36.638.0
12	G1/4"	16	28	27.5	20	50	36.243.0
12	G3/8"	20	28	28.5	20	25	36.244.0
12	G1/2"	25	28	33.5	20	25	36.245.0
14	G3/8"	20	31	28.5	20	25	36.246.0
14	G1/2"	25	31	33.5	20	25	36.247.0