

# raccordi filettati standard

standard threaded fittings соединения и переходники резьбовые

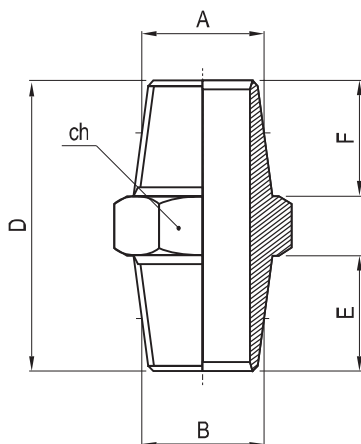


## RC020

Niplo conico maschio-maschio

*Conic nipple male-male*

la?aoī āī ee n āāōīy í a?oāí uie eī f e=aneēie  
?ačūāāie



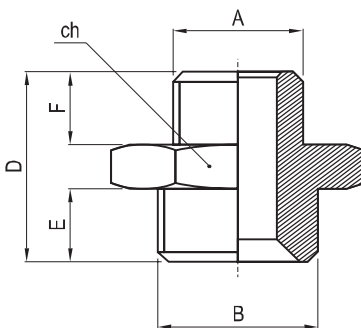
A	B	D	E	F	ch	confez. package óiae.	codice code eī ā
R1/8"	R1/8"	20.5	8	8	12	50	36.259.0
R1/8"	R1/4"	24	11	8	14	50	36.260.0
R1/8"	R3/8"	24.5	11.5	8	17	50	36.261.0
R1/4"	R1/4"	27	11	11	14	50	36.263.0
R1/4"	R3/8"	27.5	11.5	11	17	50	36.264.0
R1/4"	R1/2"	30.5	14	11	22	50	36.265.0
R3/8"	R3/8"	28	11.5	11.5	17	50	36.266.0
R3/8"	R1/2"	31	14	11.5	22	50	36.267.0
R1/2"	R1/2"	33.5	14	14	22	50	36.268.0
R1/2"	R3/4"	37	16.5	14	27	25	36.269.0
R3/4"	R3/4"	39.5	16.5	16.5	27	20	36.270.0

## RC030

Niplo cilindrico maschio-maschio

*Cylindric nipple male-male*

la?aoī āī ee n āāōīy í a?oāí uie  
ōēēēī ā?e=aneēie ?ačūāāie



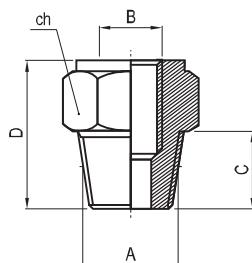
A	B	D	E	F	ch	confez. package óiae.	codice code eī ā
M5	M5	11.5	4	4	8	50	36.248.0
M5	G1/8"	14.5	6	4	14	50	36.249.0
G1/8"	G1/8"	16.5	6	6	14	50	36.250.0
G1/8"	G1/4"	19	8	6	17	50	36.251.0
G1/8"	G3/8"	20	9	6	19	50	36.252.0
G1/4"	G1/4"	21	8	8	17	50	36.253.0
G1/4"	G3/8"	22	9	8	19	50	36.254.0
G1/4"	G1/2"	23.5	10	8	24	50	36.255.0
G3/8"	G3/8"	23	9	9	19	50	36.256.0
G3/8"	G1/2"	24.5	10	9	24	50	36.257.0
G1/2"	G1/2"	25.5	10	10	24	25	36.258.0

## RC040

Maggiorazione maschio-femmina conica

*Conic male-female increaser*

?anoē?eoāēū n eī f e=aneēī é ?ačūāí é



A	B	C	D	ch	confez. package óiae.	codice code eī ā
R1/8"	G1/8"	8	18	14	50	36.296.0
R1/8"	G1/4"	8	21.5	17	50	36.297.0
R1/8"	G3/8"	8	22.5	22	50	36.298.0
R1/4"	G1/4"	11	24.5	17	50	36.299.0
R1/4"	G3/8"	11	25.5	22	50	36.300.0
R1/4"	G1/2"	11	29	24	50	36.301.0
R3/8"	G3/8"	11.5	26	22	50	36.302.0
R3/8"	G1/2"	11.5	29.5	24	50	36.303.0
R1/2"	G1/2"	14	32	26	25	36.304.0