

Multiple distributors

Technical data

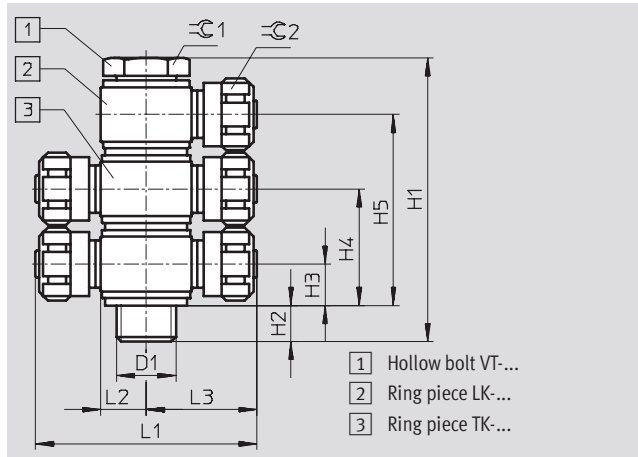
Multiple distributor

consisting of:

- Hollow bolt VT and ring piece LK
→ 16

or

- Hollow bolt VT and ring piece TK
→ 17



Dimensions															
Connection D1	Hollow bolt Type	Ring piece Type	H1	H2	H3	H4	H5	L1	L2	L3	∅C1	∅C2			
M5	VT-M5-2	LK-M5-PK-3	27.3	4	5.2	15.1	-	-	5	16.1	7	8			
		TK-M5-PK-3						32.2	-						
	VT-M5-3	LK-M5-PK-3	37.1	3.9	5.2	15.1	25	-	5	16.1	7	8			
		TK-M5-PK-3						32.2	-						
G1/8	VT-1/8-2-PK-3	LK-1/8-PK-3	31.8	5	6.1	16.7	-	-	8	19.1	13	8			
		TK-1/8-PK-3						38.2	-						
	VT-1/8-3-PK-3	LK-1/8-PK-3	42.4	5	6.1	16.7	27.3	-	8	19.1	13	8			
		TK-1/8-PK-3						38.2	-						
	VT-1/8-2	LK-1/8-PK-4	44	5.2	9.1	25.7	-	-	8	22.2	13	12			
								TK-1/8-PK-4	44.4				-		
		LK-1/8-PK-6						-	8	22.3			14		
								TK-1/8-PK-6	44.6					-	
	VT-1/8-3	LK-1/8-PK-4	60.8	5.4	9.1	25.7	42.3	-	8	22.2	13	12			
								TK-1/8-PK-4	44.4				-		
		LK-1/8-PK-6						-	8	22.3			14		
								TK-1/8-PK-6	44.6					-	
G1/4	VT-1/4-2	LK-1/4-PK-4	44.7	6.1	9.2	25.4	-	-	10	24.2	17	12			
		TK-1/4-PK-4						48.4	-						
		LK-1/4-PK-6		5.7	9.3	25.7		-	10	24.3			14		
				TK-1/4-PK-6	48.6	-									
	VT-1/4-3	LK-1/4-PK-4	61.9	6.1	9.2	25.4	41.6	-	10	24.2	17	12			
								TK-1/4-PK-4	48.4				-		
		LK-1/4-PK-6		5.5	9.3	25.7		42.1	-	10			24.3	14	
				TK-1/4-PK-6	48.6	-									
G3/8	VT-3/8-2	LK-3/8-PK-6	46.9	6.9	9.3	25.7	-	-	12.5	26.8	22	14			
		TK-3/8-PK-6						53.6	-						
	VT-3/8-3	LK-3/8-PK-6	63.1	6.7	9.3	25.7		42.1	-	12.5			26.8	22	14
									TK-3/8-PK-6	53.6					