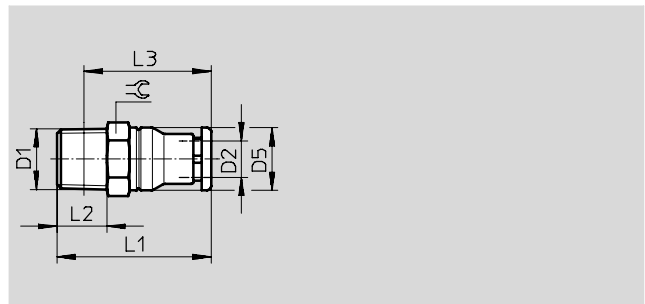
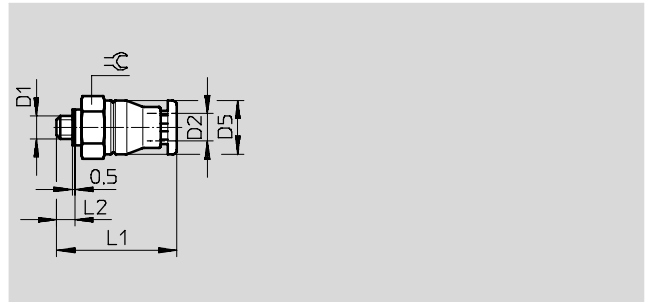


Push-in fittings CRQS, Quick Star, stainless steel

Technical data

Push-in fitting CRQS

Male thread
with internal and external hex



Dimensions and ordering data											
Connection	Nominal size	Tubing O.D.	D5	L1	L2	L3	∅	Weight/pieces	Part No.	Type	PU*
D1	[mm]	D2	∅					[g]			
Metric thread with sealing ring											
M5x0.8	2	4	9.8	24.2	3	-	10	6	162 860	CRQS-M5-4	1
	2	6	11.8	25.6	3	-	12	8.4	162 861	CRQS-M5-6	1
R thread											
R $\frac{1}{8}$	4.1	6	11.8	27.6	8	23.7	12	9.9	162 862	CRQS- $\frac{1}{8}$ -6	1
	5.1	8	13.8	30.7	8	26.8	14	13	162 863	CRQS- $\frac{1}{8}$ -8	1
R $\frac{1}{4}$	5.8	8	13.8	33.7	11	27.7	14	18	162 864	CRQS- $\frac{1}{4}$ -8	1
	5.9	10	16.8	36	11	29.9	17	22	162 865	CRQS- $\frac{1}{4}$ -10	1
R $\frac{3}{8}$	6	10	16.8	38	12	31.6	17	29	162 866	CRQS- $\frac{3}{8}$ -10	1
	7.6	12	19.8	39.8	12	33.4	21	38	162 867	CRQS- $\frac{3}{8}$ -12	1
R $\frac{1}{2}$	8.1	12	19.8	42.8	15	34.6	22	55	162 868	CRQS- $\frac{1}{2}$ -12	1
	10.1	16	23.7	49.9	15	41.6	24	59	162 869	CRQS- $\frac{1}{2}$ -16	1

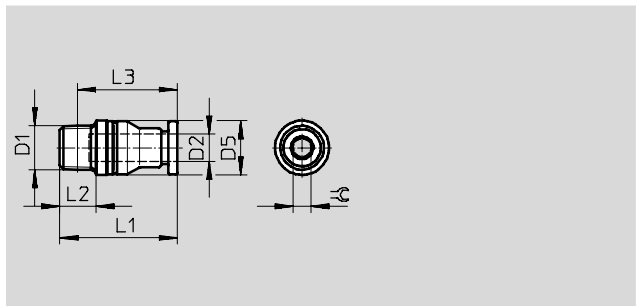
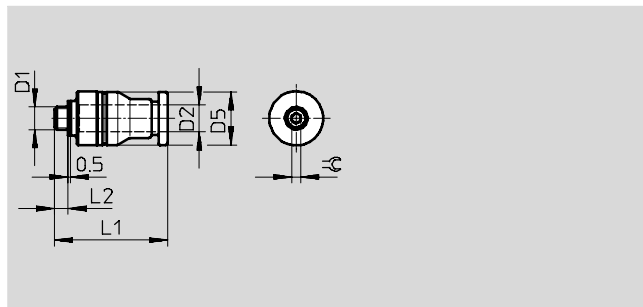
* Packaging unit quantity

Push-in fittings CRQS, Quick Star, stainless steel

Technical data

Push-in fitting CRQS-...-I

Male thread
with internal hex



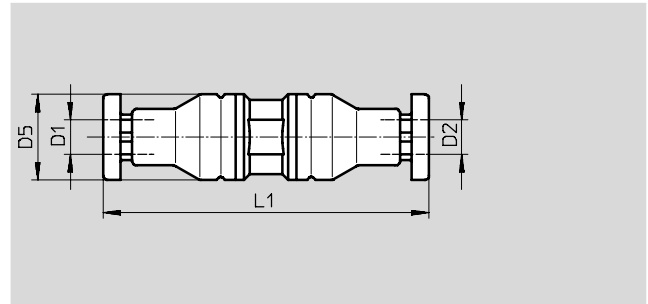
Dimensions and ordering data											
Connection	Nominal size	Tubing O.D.	D5 ∅	L1	L2	L3	⌀	Weight/pieces	Part No.	Type	PU*
D1	[mm]	D2						[g]			
Metric thread with sealing ring											
M5	2	4	10	22.7	3	-	2	5	132 328	CRQS-M5-4-I	1
	2	6	12	25.1	3	-	2	7.7	132 329	CRQS-M5-6-I	1
R thread											
R $\frac{1}{8}$	4.1	6	12	26.1	8	22.2	4	8.4	132 330	CRQS- $\frac{1}{8}$ -6-I	1
	5.1	8	14	30.2	8	26.3	5	12	132 331	CRQS- $\frac{1}{8}$ -8-I	1
R $\frac{1}{4}$	5.8	8	14	31.2	11	25.2	6	15	132 332	CRQS- $\frac{1}{4}$ -8-I	1
	5.9	10	17	36.0	11	29.9	6	21	132 333	CRQS- $\frac{1}{4}$ -10-I	1
R $\frac{3}{8}$	6	10	17	34.0	12	27.6	6	24	132 334	CRQS- $\frac{3}{8}$ -10-I	1
	7.6	12	20	36.3	12	29.9	8	28	132 335	CRQS- $\frac{3}{8}$ -12-I	1
R $\frac{1}{2}$	8.1	12	22	39.3	15	31.1	8	45	132 336	CRQS- $\frac{1}{2}$ -12-I	1
	10.1	16	24	46.7	15	38.6	12	47	132 337	CRQS- $\frac{1}{2}$ -16-I	1

* Packaging unit quantity

Push-in fittings CRQS, Quick Star, stainless steel

Technical data

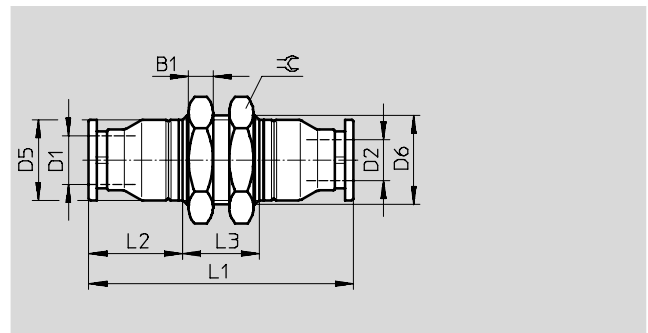
Push-in connector CRQS



Dimensions and ordering data								
Tubing O.D.	Nominal size	Tubing O.D.	D5	L1	Weight/pieces	Part No.	Type	PU*
D1	[mm]	D2	-∅		[g]			
4	2.4	4	9.8	37.4	9.2	130 645	CRQS-4	1
6	3.7	6	11.8	40.3	14	130 646	CRQS-6	1
8	5.8	8	13.8	44.5	18	130 647	CRQS-8	1
10	6.6	10	16.8	51.9	29	130 648	CRQS-10	1
12	7.9	12	19.8	55.6	45	130 649	CRQS-12	1
16	10.5	16	23.7	66.4	64	130 650	CRQS-16	1
Reducing								
6	2.3	4	11.8	38.7	11	130 651	CRQS-6-4	1
8	3.7	6	13.8	42.2	15	130 652	CRQS-8-6	1
10	5.4	8	16.8	48.2	22	130 653	CRQS-10-8	1
12	8.1	10	19.8	53.8	34	130 654	CRQS-12-10	1
16	7.3	12	23.7	61	50	130 655	CRQS-16-12	1

* Packaging unit quantity

Push-in bulkhead connector CRQSS



Dimensions and ordering data													
Tubing O.D.	Nominal size	Tubing O.D.	B1	D5	D6	L1	L2	L3	☉	Weight/pieces	Part No.	Type	PU*
D1	[mm]	D2		∅	∅					[g]			
Metric thread with sealing ring													
4	2.4	4	4	9.8	M12x1	45.4	15.2	13	14	19	164 210	CRQSS-4	1
6	3.7	6	4	11.8	M14x1	46.3	15.6	15	17	28	164 211	CRQSS-6	1
8	5.7	8	4	13.8	M16x1	50.5	17.7	15	19	35	164 213	CRQSS-8	1
10	6.7	10	5	16.8	M20x1	56.9	20	17	24	60	164 215	CRQSS-10	1
12	7.9	12	6	19.8	M22x1	62.6	21.8	19	27	87	164 217	CRQSS-12	1
16	10.4	16	6	23.7	M27x1.5	72.4	26.7	19	32	118	164 219	CRQSS-16	1

* Packaging unit quantity

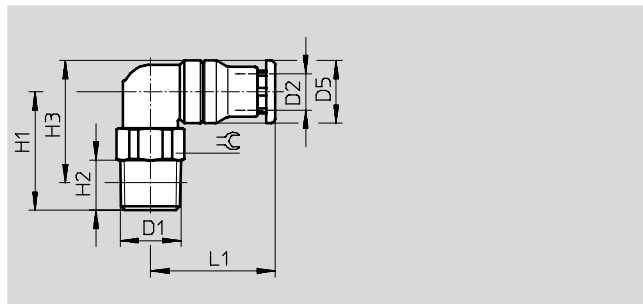
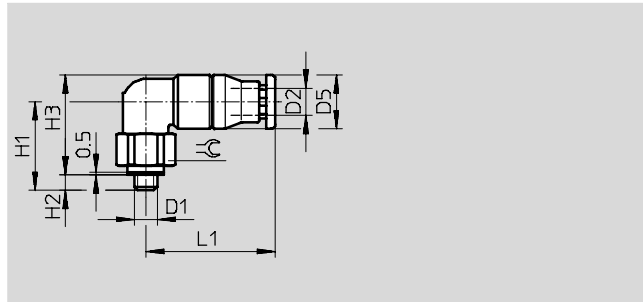
Push-in fittings CRQS, Quick Star, stainless steel

FESTO

Technical data

Push-in L-fitting CRQSL

360° rotatable
Male thread
with external hex



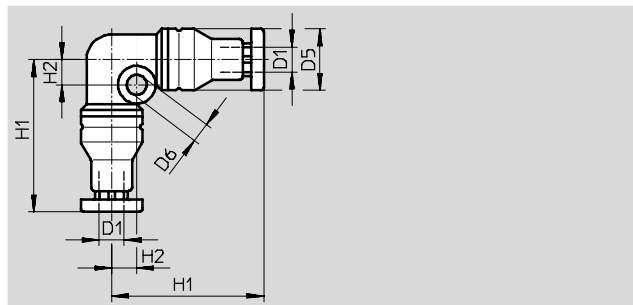
Dimensions and ordering data												
Connection	Nominal size	Tubing O.D.	D5	H1	H2	H3	L1	$\approx \text{C}$	Weight/ pieces	Part No.	Type	PU*
D1	[mm]	D2	\varnothing						[g]			
Metric thread with sealing ring												
M5x0.8	2	4	9.8	17	3	18.9	22.2	10	13	162 870	CRQSL-M5-4	1
	2	6	11.8	19	3	21.9	23.6	12	19	162 871	CRQSL-M5-6	1
R thread												
R $\frac{1}{8}$	3.9	6	11.8	20.5	8	22.4	23.6	12	20	162 872	CRQSL- $\frac{1}{8}$ -6	1
	5.2	8	13.8	23	8	25.9	26.2	14	27	162 873	CRQSL- $\frac{1}{8}$ -8	1
R $\frac{1}{4}$	5.1	8	13.8	25	11	25.9	26.2	14	31	162 874	CRQSL- $\frac{1}{4}$ -8	1
	6	10	16.8	28.5	11	30.9	30.5	17	46	162 875	CRQSL- $\frac{1}{4}$ -10	1
R $\frac{3}{8}$	6	10	16.8	28.5	12	30.6	30.5	17	52	162 876	CRQSL- $\frac{3}{8}$ -10	1
	8.1	12	19.8	30	12	33.6	33.3	21	69	162 877	CRQSL- $\frac{3}{8}$ -12	1
R $\frac{1}{2}$	7.9	12	19.8	34	15	35.7	33.3	22	89	162 878	CRQSL- $\frac{1}{2}$ -12	1
	9.4	16	23.7	36	15	39.7	40.7	24	105	162 879	CRQSL- $\frac{1}{2}$ -16	1

* Packaging unit quantity

Push-in fittings CRQS, Quick Star, stainless steel

Technical data

Push-in L-connector CRQSL



Dimensions and ordering data									
Tubing O.D.	Nominal size	D5 Ø	D6 Ø	H1	H2	Weight/piece	Part No.	Type	PU*
D1	[mm]					[g]			
4	2.1	9.8	3.2	24.2	4	13	130 662	CRQSL-4	1
6	3.5	11.8	3.2	26.6	5	20	130 663	CRQSL-6	1
8	5.1	13.8	3.2	29.7	6	27	130 664	CRQSL-8	1
10	6.1	16.8	4.2	35	7	43	130 665	CRQSL-10	1
12	7.8	19.8	4.2	37.8	8	62	130 666	CRQSL-12	1
16	9.4	23.7	4.2	45.2	9,5	91	130 667	CRQSL-16	1

* Packaging unit quantity

Push-in fittings CRQS, Quick Star, stainless steel

FESTO

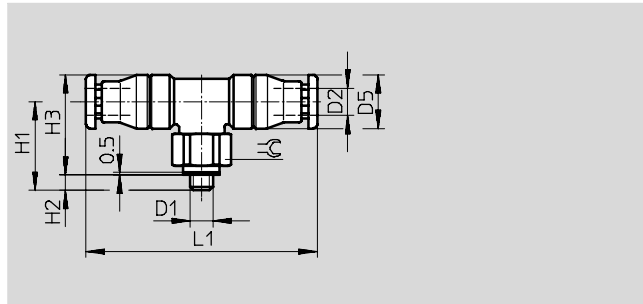
Technical data

Push-in T-fitting CRQST

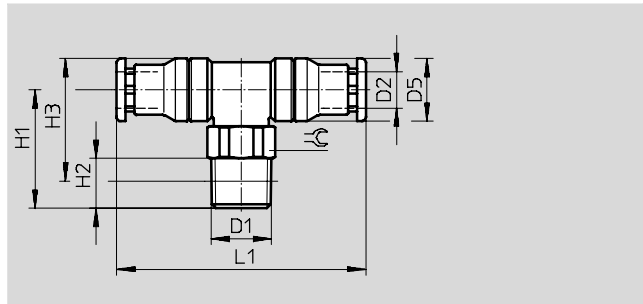
360° rotatable
Male thread
with external hex



M thread



R thread



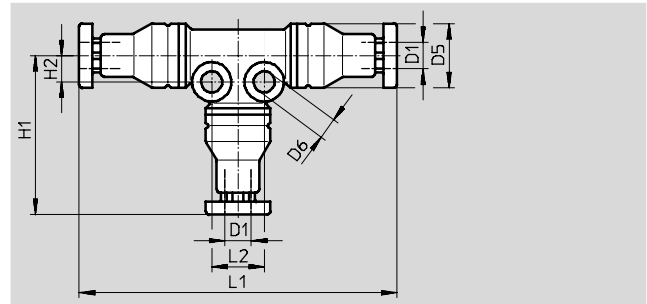
Dimensions and ordering data												
Connection	Nominal size	Tubing O.D.	D5	H1	H2	H3	L1	$\approx \text{C}$	Weight/piece	Part No.	Type	PU*
D1	[mm]	D2	$\text{-}\varnothing$						[g]			
Metric thread with sealing ring												
M5x0.8	2	4	9.8	18.9	3	17	44.4	10	17	164 200	CRQST-M5-4	1
	2	6	11.8	21.9	3	19	47.3	12	25	164 201	CRQST-M5-6	1
R thread												
R $\frac{1}{8}$	3.7	6	11.8	22.4	8	20.5	47.3	12	26	164 202	CRQST- $\frac{1}{8}$ -6	1
	5	8	13.8	25.9	8	23	52.5	14	34	164 203	CRQST- $\frac{1}{8}$ -8	1
R $\frac{1}{4}$	5	8	13.8	25.9	11	25	52.5	14	38	164 204	CRQST- $\frac{1}{4}$ -8	1
	5.9	10	16.8	30.9	11	28.5	61	17	56	164 205	CRQST- $\frac{1}{4}$ -10	1
R $\frac{3}{8}$	5.9	10	16.8	30.6	12	28.5	61	17	62	164 206	CRQST- $\frac{3}{8}$ -10	1
	8.1	12	19.8	33.6	12	30	66.6	21	85	164 207	CRQST- $\frac{3}{8}$ -12	1
R $\frac{1}{2}$	8.1	12	19.8	35.7	15	34	66.6	22	106	164 208	CRQST- $\frac{1}{2}$ -12	1
	9.5	16	23.7	39.7	15	36	81.4	24	128	164 209	CRQST- $\frac{1}{2}$ -16	1

* Packaging unit quantity

Push-in fittings CRQS, Quick Star, stainless steel

Technical data

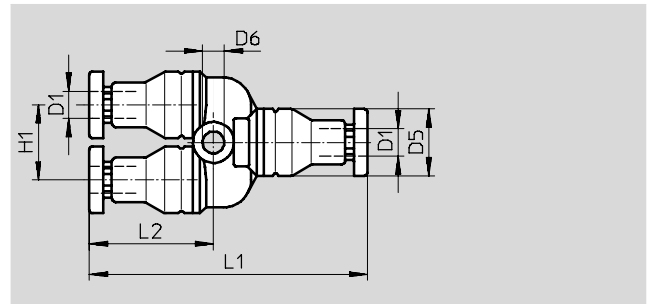
Push-in T-connector CRQST



Dimensions and ordering data											
Tubing O.D.	Nominal size	D5	D6	H1	H2	L1	L2	Weight/ piece	Part No.	Type	PU*
D1	[mm]	∅	∅					[g]			
4	2.1	9.8	3.2	24.2	4	48.4	8	19	130 668	CRQST-4	1
6	3.5	11.8	3.2	26.7	5	53.3	10	28	130 669	CRQST-6	1
8	5	13.8	3.2	29.8	6	59.5	12	38	130 670	CRQST-8	1
10	6.1	16.8	4.2	35	7	69.9	14	60	130 671	CRQST-10	1
12	8	19.8	4.2	37.8	8	75.6	16	87	130 672	CRQST-12	1
16	9.7	23.7	4.2	45.2	9.5	90.4	19	126	130 673	CRQST-16	1

* Packaging unit quantity

Push-in Y-connector CRQSY



Dimensions and ordering data									
Tubing O.D.	Nominal size	D5	D6	H1	L1	Weight/piece	Part No.	Type	PU*
D1	[mm]	∅	∅			[g]			
4	2	9.8	3.2	11	40.8	15	130 656	CRQSY-4	1
6	3.3	11.8	3.2	13	44.3	24	130 657	CRQSY-6	1
8	4.9	13.8	3.2	15	51	34	130 658	CRQSY-8	1
10	5.6	16.8	4.3	18	58.5	52	130 659	CRQSY-10	1
12	7	19.8	4.3	21	64.6	79	130 660	CRQSY-12	1
16	8.2	23.7	4.3	25	78.4	121	130 661	CRQSY-16	1

* Packaging unit quantity