

Quick connectors CK

Technical data

FESTO

Quick connector CK

Male thread with sealing ring

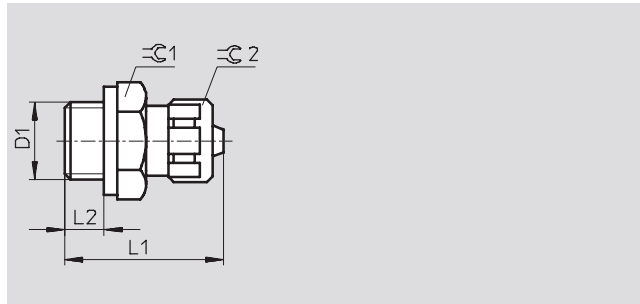
Material:

M thread: Steel, aluminium

G thread: Blue anodised aluminium

Free of copper and PTFE

Certification: Germanischer Lloyd



Quick connector CK-...-KU

Male thread with moulded-on sealing ring

ring

Material:

Polyacetate

Free of copper and PTFE

Conforms to RoHS

Pressure range: 0 ... 10 bar

Temperature range: -10 ... +60 °C

Certification: Germanischer Lloyd

Dimensions and ordering data									
Connection	Nominal size	Tubing I.D.	L1	L2	⌀C	⌀C1	Part No.	Type	PU*
D1	[mm]								
Metal design									
M5	2.0	3	19.3	3.8	7	8	3 561	CK-M5-PK-3	10
	2.9	4	21.5	3.8	10	-	3 562	CK-M5-PK-4	10
G ¹ / ₈	2.0	3	21.6	4.9	13	8	3 563	CK- ¹ / ₈ -PK-3	10
	2.9	4	24.7	4.9	13	12	2 027	CK- ¹ / ₈ -PK-4	10
	4.9	6	24.8	4.9	13	14	2 028	CK- ¹ / ₈ -PK-6	10
G ¹ / ₄	2.9	4	27.2	5.8	17	12	2 029	CK- ¹ / ₄ -PK-4	10
	4.9	6	27.3	5.8	17	14	2 030	CK- ¹ / ₄ -PK-6	10
	8	9	30.6	5.8	17	19	2 031	CK- ¹ / ₄ -PK-9	10
G ³ / ₈	4.9	6	28.3	6.8	19	14	2 032	CK- ³ / ₈ -PK-6	10
	8	9	31.6	6.8	19	19	2 033	CK- ³ / ₈ -PK-9	10
	11.7	13	33.2	6.8	24	24	4 097	CK- ³ / ₈ -PK-13	10
G ¹ / ₂	11.7	13	34.7	8.5	24	24	4 098	CK- ¹ / ₂ -PK-13	1
Polymer design									
G ¹ / ₈	2.4	3	22.2	6.5	13	8	6 253	CK- ¹ / ₈ -PK-3-KU	10
	3.4	4	25.3	6.5	13	12	6 254	CK- ¹ / ₈ -PK-4-KU	10
	4.4	6	25.4	6.5	13	14	6 255	CK- ¹ / ₈ -PK-6-KU	10
G ¹ / ₄	3.4	4	28.5	8.5	17	12	6 256	CK- ¹ / ₄ -PK-4-KU	10
	5.3	6	28.6	8.5	17	14	6 257	CK- ¹ / ₄ -PK-6-KU	10
	7.3	9	31.9	8.5	17	19	6 258	CK- ¹ / ₄ -PK-9-KU	10
G ³ / ₈	5.3	6	31	10.5	19	14	6 460	CK- ³ / ₈ -PK-6-KU	10
	8	9	34.5	10.5	19	19	6 468	CK- ³ / ₈ -PK-9-KU	10

* Packaging unit quantity