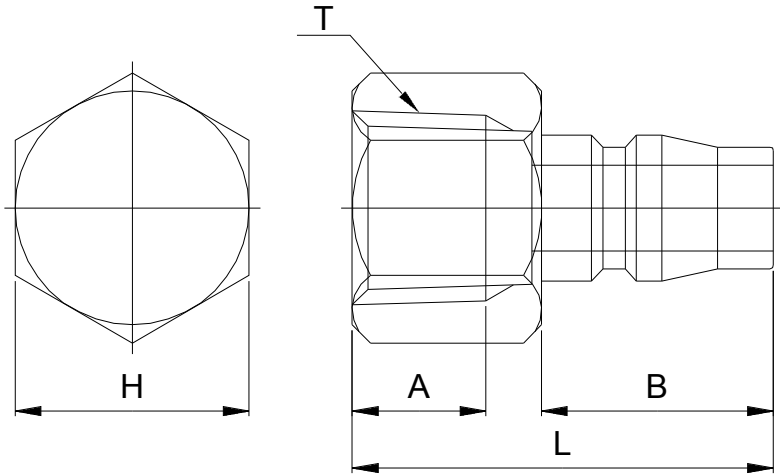


PF



MODEL	T	L	A	B	H (Hex)	WEIGHT (g)	BOX(EA)
PF 20	R 1/4	36.5	13.5	20.5	17	26.0	100
PF 30	R 3/8	39.0	14.5		21	42.0	50
PF 40	R 1/2	40.5	15.5		25	52.0	50
PF 400	R 1/2	41.9	14.0	23.9	30	93.5	25
PF 600	R 3/4	45.9	17.0		35	129.9	20
PF 800	R 1"	54.9	22.0		41	221.0	12