

raccordi automatici in polimero

push-in fittings фитинги цанговые быстроразъёмные

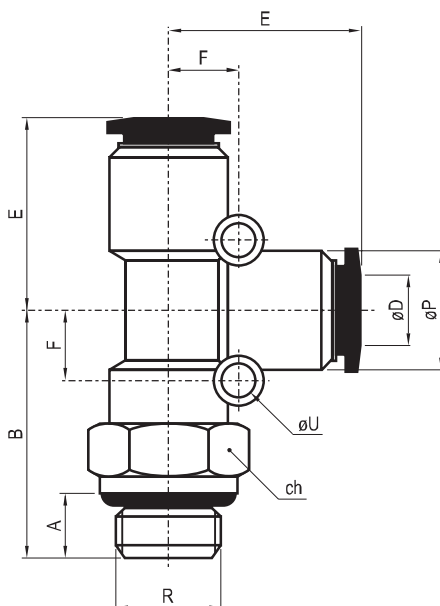


AZST-G

Raccordo a T orientabile maschio laterale cilindrico

Swivel T-fitting, cylindric thread on the lateral leg

Li āi ?ī of ué O-ī á?açí ué ðeef a n āī eī āī é ðeēf ā?e=aneī é ?açūāī é e óiēī of eoaēūī ui eī ēuōī i



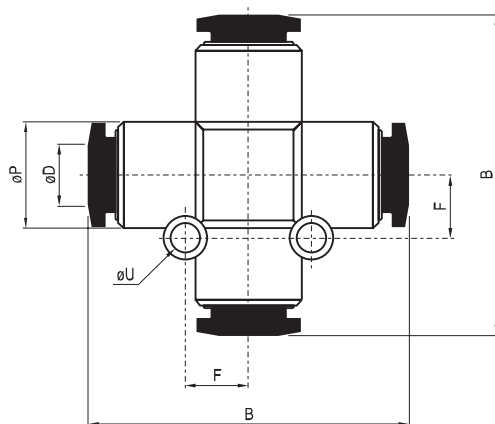
tubo (øD) tube o?óáea	R	oP	B	E	oU	F	A	ch	confez. package óiae.	codice code eī ā
4	M5	11	22.5	18.5	3.2	7	4	10	10	36.859.0
4	G1/8"	11	24	18.5	3.2	7	5.5	14	10	36.860.0
4	G1/4"	11	26	18.5	3.2	7	7	17	10	36.861.0
6	M5	13	23.5	19	3.2	8	4	12	10	36.862.0
6	G1/8"	13	24.5	19	3.2	8	5.5	14	10	36.863.0
6	G1/4"	13	26.5	19	3.2	8	7	17	10	36.864.0
6	G3/8"	13	27.5	19	3.2	8	7.5	20	10	36.865.0
8	G1/8"	14.4	27	21.7	3.2	9	5.5	14	10	36.866.0
8	G1/4"	14.4	29	21.7	3.2	9	7	17	10	36.867.0
8	G3/8"	14.4	30	21.7	3.2	9	7.5	20	10	36.868.0
8	G1/2"	14.4	33	21.7	3.2	9	10	24	5	36.869.0
10	G1/8"	18.4	32.5	27.4	4.2	12	5.5	17	5	36.870.0
10	G1/4"	18.4	34	27.4	4.2	12	7	17	5	36.871.0
10	G3/8"	18.4	35	27.4	4.2	12	7.5	17	5	36.872.0
10	G1/2"	18.4	38	27.4	4.2	12	10	20	5	36.873.0
12	G1/4"	21	36	28	4.2	13.5	7	20	5	36.874.0
12	G3/8"	21	36.5	28	4.2	13.5	7.5	20	5	36.875.0
12	G1/2"	21	39.5	28	4.2	13.5	10	24	5	36.876.0
16	G1/4"	26	38	32	5.2	15	7	24	4	36.877.0
16	G3/8"	26	39	32	5.2	15	7.5	24	4	36.878.0
16	G1/2"	26	41.5	32	5.2	15	10	24	4	36.879.0

AZZA

Raccordo a croce intermedio

Cross connector

E?anoī ī á?açí ué ðeef a-nī āāēī eoaēü



tubo (øD) tube o?óáea	oP	F	oU	B	confez. package óiae.	codice code eī ā
4	11	7	3.2	37	10	36.991.0
6	13	8	3.2	38	10	36.992.0
8	14.4	9	3.2	45	5	36.993.0
10	18.4	12	4.2	56.5	5	36.994.0
12	21	13.3	4.2	58	5	36.995.0