

# raccordi a calzamento

quick fittings фитинги с накидной гайкой

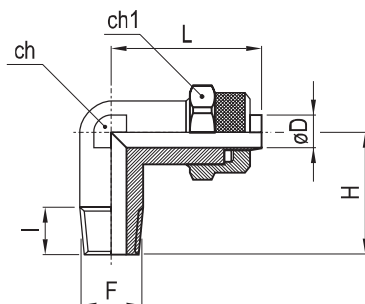


## RZ210

Raccordo a L maschio conico

L-fitting with conic thread

L-образный фитинг с наружной конической резьбой



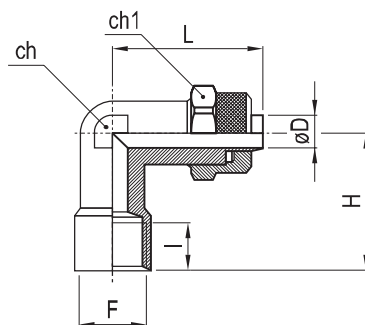
tubo ( $\varnothing D$ ) tube трубка	F	I	H	L	ch1	ch	confez. package упак.	codice code код
5/3	R1/8"	8	17	21.5	8	8	50	36.498.0
6/4	R1/8"	8	17	22.5	12	8	50	36.499.0
6/4	R1/4"	11	20	22.5	12	10	50	36.500.0
6/4	R3/8"	11.5	22.5	23.5	12	11	50	36.501.0
8/6	R1/8"	8	17	22.5	14	10	50	36.502.0
8/6	R1/4"	11	20	22.5	14	10	50	36.503.0
8/6	R3/8"	11.5	22.5	24	14	11	50	36.504.0
10/8	R1/8"	8	18.5	25.5	16	11	50	36.506.0
10/8	R1/4"	11	21.5	25.5	16	11	50	36.507.0
10/8	R3/8"	11.5	22.5	25.5	16	11	25	36.508.0
10/8	R1/2"	14	28	28	16	17	25	36.509.0
12/10	R3/8"	11.5	24.5	30	18	14	20	36.510.0
12/10	R1/2"	14	28	30.5	18	17	20	36.511.0
15/12.5	R1/2"	14	28	34	22	17	10	36.512.0

## RZ220

Raccordo a L femmina cilindrico

L-fitting with female cylindrical thread

L-образный фитинг с внутренней цилиндрической резьбой



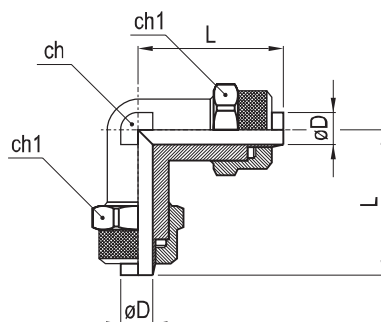
tubo ( $\varnothing D$ ) tube трубка	F	I	H	L	ch1	ch	confez. package упак.	codice code код
6/4	G1/8"	8	19	22.5	12	10	50	36.524.0
6/4	G1/4"	10.5	23	25	12	11	50	36.525.0
8/6	G1/8"	8	19	22.5	14	10	50	36.526.0
8/6	G1/4"	10.5	23	25	14	11	50	36.527.0
10/8	G1/4"	11	23.5	26	16	13	25	36.528.0

## RZ230

Raccordo a L intermedio

Intermediate elbow connector

L-образный фитинг-соединитель



tubo ( $\varnothing D$ ) tube трубка	L	ch1	ch	confez. package упак.	codice code код
6/4	21.5	12	8	50	36.531.0
8/6	22.5	14	10	50	36.532.0
10/8	25.5	16	11	25	36.533.0
12/10	30	18	14	20	36.534.0
15/12.5	34	22	17	10	36.535.0