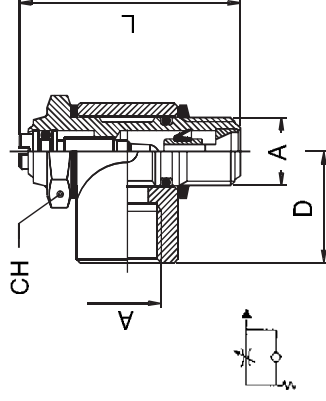


8952



REGOLATORE UNIDIREZIONALE PER CILINDRO REGOLAZIONE A CACCIAVITE
UNI-DIRECTIONAL FLOW REGULATOR FOR CYLINDER SCREWDRIVER REGULATION

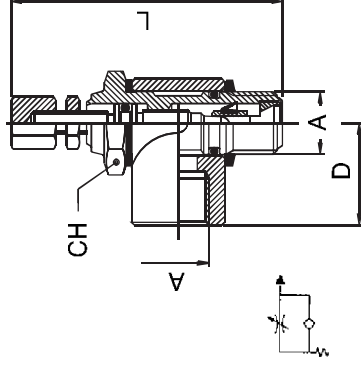


| A | D | L | CH | Conf. Pack. |
|-----|------|------|----|-------------|
| 1/8 | 16.5 | 30.5 | 14 | 25 |
| 1/4 | 22 | 35.5 | 17 | 25 |
| 3/8 | 26 | 35.5 | 20 | 25 |

8957



REGOLATORE UNIDIREZIONALE PER CILINDRO REGOLAZIONE MANUALE
UNI-DIRECTIONAL FLOW REGULATOR FOR CYLINDER MANUAL REGULATION

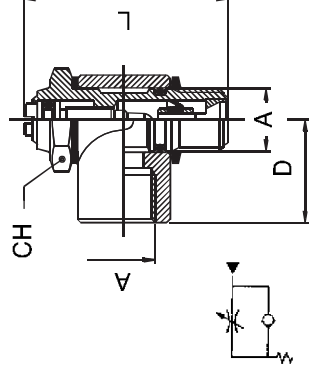


| A | D | Lmin | Lmax | CH | Conf. Pack. |
|-----|------|------|------|----|-------------|
| 1/8 | 16.5 | 41 | 46.5 | 14 | 25 |
| 1/4 | 22 | 46.5 | 52.5 | 17 | 25 |
| 3/8 | 26 | 56.5 | 63.5 | 17 | 25 |

8962



REGOLATORE UNIDIREZIONALE PER VALVOLA REGOLAZIONE A CACCIAVITE
UNI-DIRECTIONAL FLOW REGULATOR FOR VALVE SCREWDRIVER REGULATION



| A | D | L | CH | Conf. Pack. |
|-----|------|------|----|-------------|
| 1/8 | 16.5 | 30.5 | 14 | 25 |
| 1/4 | 22 | 35.5 | 17 | 25 |
| 3/8 | 26 | 35.5 | 20 | 25 |