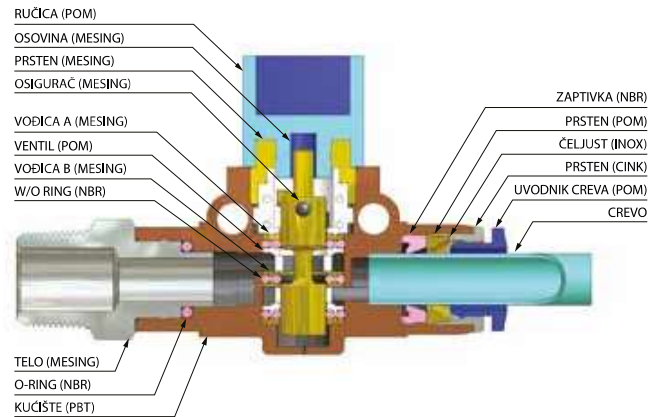


Ručni ventili

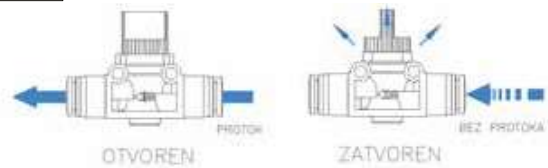
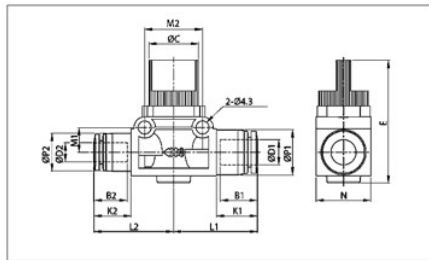
- Ručni ventili sa funkcijom 3/2 tip HV_ - i 2/2 tip HBVU-
- Izrađeni od visoko kvalitetnih materijala, jednostavni za upotrebu
- Omogućuju maksimalnu fleksibilnost u izvođenju svih pneumatskih instalacija u industriji
- Pogodni za upotrebu kod različitih tipova pneumatskih creva

Tehničke karakteristike

- Radni medijum: Vazduh (ne upotrebljavati za druge gasove ili tečnosti)
- Radni pritisak: 0 do 10 bar
- Vakuum max: -0,99 bar
- Radna temperatura: 0 °C do +60 °C

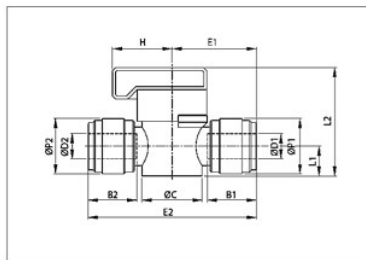


Ventil ručni tip HVU



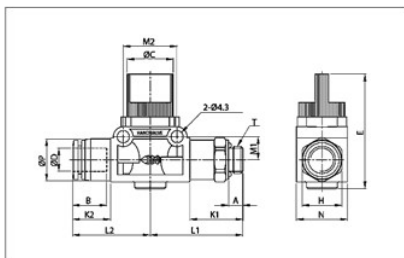
Model	Lager	ØD1	ØD2	ØP1	ØP2	ØC	N	E	B1	B2	K1	K2	L1	L2	M1	M2
HVU-4-4	✓	4	4	10.5	10.5	16.3	18.0	40.3	14.8	14.8	11.1	11.1	25.1	25.1	8.2	19.0
HVU-6-6	✓	6	6	12.5	12.5	16.3	18.0	40.3	16.4	16.4	12.3	12.3	26.3	26.3	8.2	19.0
HVU-8-6		8	6	14.8	12.5	16.3	18.0	40.3	18.7	16.4	13.9	12.3	27.9	26.3	8.2	19.0
HVU-8-8	✓	8	8	14.8	14.8	16.3	18.0	40.3	18.7	18.7	13.9	13.9	27.9	27.9	8.2	19.0
HVU-10-8		10	8	17.5	14.8	19.3	21.2	40.5	20.1	18.7	14.4	13.9	30.9	27.9	10.9	24.0
HVU-10-10	✓	10	10	17.5	17.5	19.3	21.2	40.5	20.1	20.1	14.4	14.4	30.9	30.9	10.9	24.0
HVU-12-10		12	10	20.5	17.5	19.3	21.2	40.5	22.8	20.1	17.6	14.4	34.1	30.9	10.9	24.0
HVU-12-12	✓	12	12	20.5	20.5	19.3	21.2	40.5	22.8	22.8	17.6	17.6	34.1	34.1	10.9	24.0

Ventil ručni tip HBVU



Model	Lager	ØD1	ØD2	B1	B2	ØP1	ØP2	L1	L2	E1	E2	H	ØC
HBVU-6-6	✓	06	06	16.1	16.1	15.5	15.5	9.5	34.5	25.9	51.7	19.0	19.2
HBVU-8-8	✓	08	08	17.5	17.5	17.6	17.6	9.5	34.5	26.8	53.5	19.0	19.2
HBVU-10-10	✓	10	10	20.1	20.1	20.0	20.0	12.5	42.3	31.5	63.0	26.3	24.2
HBVU-12-12	✓	12	12	23.7	23.7	23.0	23.0	12.5	42.3	35.2	70.4	26.3	24.2

Ventil ručni tip HVF-G navoj



Model	Lager	T	ØD	H(Hex)	ØP	ØC	N	E	A	B	K1	K2	L1	L2	M1	M2
HVF-G1/8-4		G 1/8	4	14	10.5	16.3	18.0	40.3	5.0	14.8	18.6	11.1	32.6	25.1	8.2	19.0
HVF-G1/4-4		G 1/4	4	17	10.5	16.3	18.0	40.3	6.5	14.8	20.6	11.1	34.6	25.1	8.2	19.0
HVF-G3/8-4		G 3/8	4	20	10.5	16.3	18.0	40.3	6.5	14.8	20.1	11.1	34.1	25.1	8.2	19.0
HVF-G1/8-6		G 1/8	6	14	12.5	16.3	18.0	40.3	5.0	16.4	18.6	12.3	32.6	26.3	8.2	19.0
HVF-G1/4-6		G 1/4	6	17	12.5	16.3	18.0	40.3	6.5	16.4	20.6	12.3	34.6	26.3	8.2	19.0
HVF-G3/8-6		G 3/8	6	20	12.5	16.3	18.0	40.3	6.5	16.4	20.1	12.3	34.1	26.3	8.2	19.0
HVF-G1/8-8		G 1/8	8	14	14.8	16.3	18.0	40.3	5.0	18.7	18.6	13.9	32.6	27.9	8.2	19.0
HVF-G1/4-8		G 1/4	8	17	14.8	16.3	18.0	40.3	6.5	18.7	20.6	13.9	34.6	27.9	8.2	19.0
HVF-G3/8-8		G 3/8	8	20	14.8	16.3	18.0	40.3	6.5	18.7	20.1	13.9	34.1	27.9	8.2	19.0
HVF-G1/4-10	✓	G 1/4	10	17	17.5	19.3	21.2	40.5	6.5	20.1	19.0	14.4	35.0	30.9	10.9	24.0
HVF-G3/8-10		G 3/8	10	20	17.5	19.3	21.2	40.5	6.5	20.1	18.5	14.4	35.0	30.9	10.9	24.0
HVF-G1/2-10		G 1/2	10	24	17.5	19.3	21.2	40.5	8.0	20.1	20.0	14.4	36.5	30.9	10.9	24.0
HVF-G1/4-12		G 1/4	12	19	20.5	19.3	21.2	40.5	6.5	22.8	20.6	17.6	37.1	34.1	10.9	24.0
HVF-G3/8-12		G 3/8	12	20	20.5	19.3	21.2	40.5	6.5	22.8	20.1	17.6	36.6	34.1	10.9	24.0
HVF-G1/2-12		G 1/2	12	24	20.5	19.3	21.2	40.5	8.0	22.8	21.6	17.6	38.1	34.1	10.9	24.0