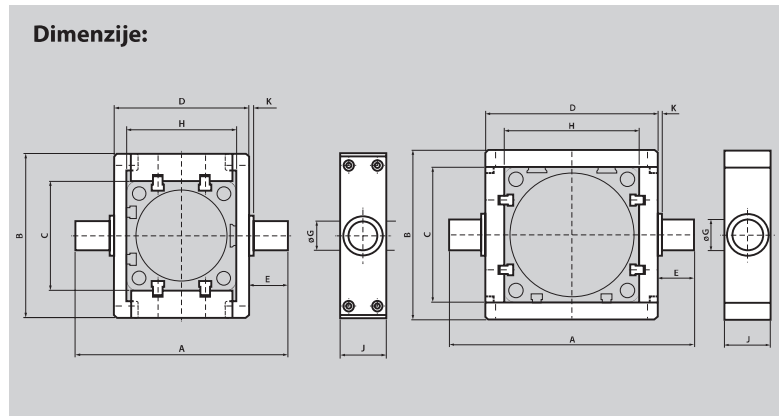
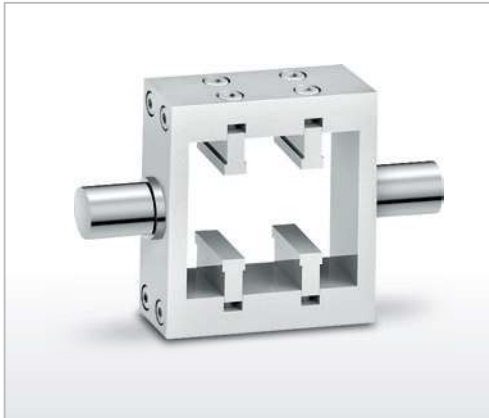


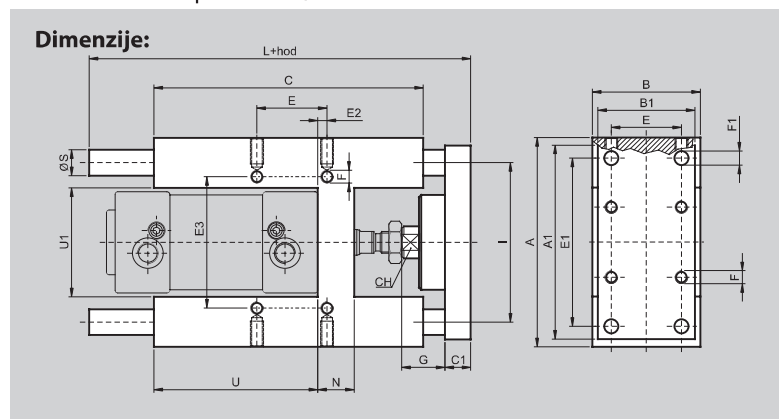
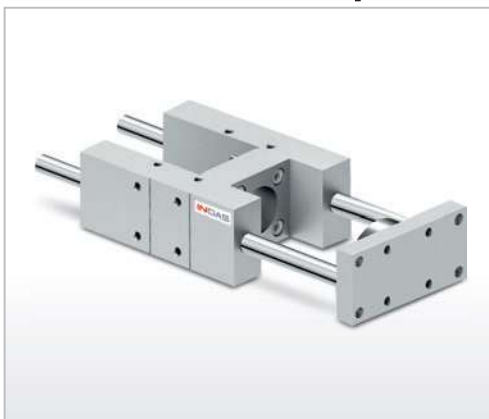
Rukavac tip CIN-... (za cilindre tipa DC)



Ugradbene mere:

Tip	Porudž. br.	Ø klipa	A	B	C	D	E	G	H	J	K
CIN032	20502511	32	87	65	44.5	52	17.5	12	45	25	2
CIN040	20502512	40	105	74.8	50.5	62	21.5	16	51	25	2.5
CIN050	20502513	50	117	90.3	60.3	74	21.5	16	60.8	25	2.5
CIN063	20502514	63	136	94.5	70.5	91	22.5	20	70	30	2.5
CIN080	20502515	80	156	109.3	87.5	111	22.5	20	87	30	2.5
CIN100	20502516	100	195	134	106.6	129	33	25	106	40	2.5
CIN125	20502526	125	223	160	132.6	157	33	25	132	40	2.5

Linearna vođica tip H-... (za cilindre tipa DC)



Ugradbene mere:

Ø CILINDRA	A	A1	B	B1	C	C1	CH	E	E1	E2	E3
32	97	90	50	45	125	12	13	32.5	78	4.3	61
40	115	105	58	50	136	12	15	38	84	11	69
50	137	124	70	60	144	15	21	46.5	100	18.5	85
63	152	145	85	70	176	15	21	56.5	105	15.3	100
80	189	180	105	100	215	20	27	72	130	21	130
100	213	200	130	120	220	20	27	89	150	24.5	150

Ø CILINDRA	F	F1	G	L	N	S	U	U1
32	M6	6.5	20	74	177	17	76	50.5
40	M6	6.5	22	87	192	21	81	58.5
50	M8	9	23	104	237	26	79	70.5
63	M8	9	23	119	237	26	111	85.5
80	M10	11	30	148	280	34	128	106
100	M10	11	30	173	280	39	128	131