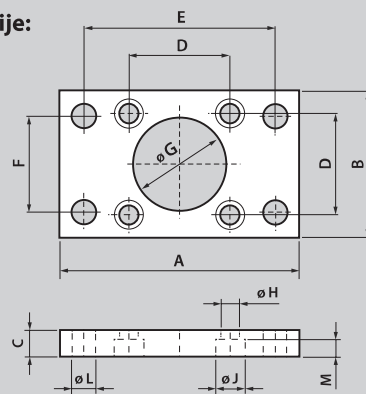


## Prirubnica tip PR-...

(za cilindre tipa DC, DCL, MDC, MDCV)



Dimenzije:



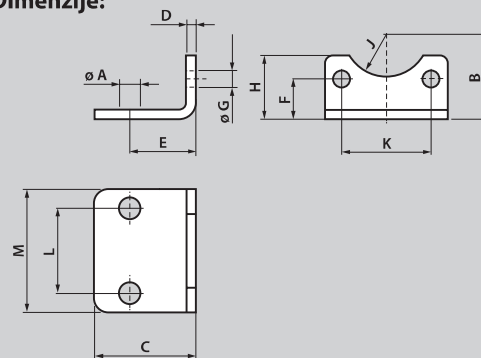
Ugradbene mere:

Tip	Porudž. br.	Ø klipa	A	B	C	D	E	F	G	H	J	L	M
PR-32, FLIS032	20502101	32	80	45	10	32.5	64	32	30	6.6	10.5	7	6.5
PR-40, FLIS040	20502102	40	90	52	10	38	72	36	35	6.6	11	9	6.5
PR-50, FLIS050	20502103	50	110	65	12	46.5	90	45	40	9	15	9	8.5
PR-63, FLIS063	20502104	63	120	75	12	56.5	100	50	45	9	15	9	8.5
PR-80, FLIS080	20502105	80	150	95	16	72	126	63	45	11	18	12	10.5
PR-100, FLIS100	20502106	100	170	115	16	89	150	75	55	11	18	14	10.5
PR-125, FLIS125	20502114	125	205	140	20	110	180	90	60	13.5	20	16	12.5
PR-160, FLIS160	20502115	160	260	180	20	140	230	115	65	18	26	18	16.5
PR-200, FLIS200	20502116	200	300	220	25	175	270	135	75	18	26	22	16.5

## Stopa tip ST-... (za cilindre tipa DC, DCL, MDC, MDCV)



Dimenzije:



Ugradbene mere:

Tip	Porudž. br.	Ø klipa	A	B	C	D	E	F	G	H	J	K	L	M
ST-32, PBIS032	20502201	32	7	32	35	4	24	15.75	7	30	15	32.5	32	45
ST-40, PBIS040	20502202	40	9	36	36	4	28	17	7	30	17.5	38	36	52
ST-50, PBIS050	20502203	50	9	45	47	5	32	21.75	9	36	20	46.5	45	65
ST-63, PBIS063	20502204	63	9	50	45	5	32	21.75	9	35	22.5	56.5	50	75
ST-80, PBIS080	20502205	80	12	63	55	6	41	27	11	47	22.5	72	63	95
ST-100, PBIS100	20502206	100	14	71	57	6	41	26.5	11	53	27.5	89	75	115
ST-125, PBIS125	20502207	125	16	90	70	8	45	35	14	70	30	110	90	140
ST-160, PBIS160	20502208	160	18	115	75	9	60	45	18	100	32.5	140	115	180
ST-200, PBIS200	20502209	200	22	135	100	12	70	47.5	18	100	37.5	175	135	220