

Bell suction cup (round)

FSG 20 HT1-60 G1/8-AG

Part no.:10.01.06.01239

<https://www.schmalz.com/10.01.06.01239>

Homepage > Vacuum Technology for Automation > Vacuum Components > Vacuum Suction Cups > Bellows Suction Cups (Round) > Bellows Suction Cups FSG (2.5 Folds) > FSG 20 HT1-60 G1/8-AG

Bellows suction cup (round) for very uneven workpieces



Size: 20

Suction cup material:

High temp material HT1

Material hardness: 60 °Sh

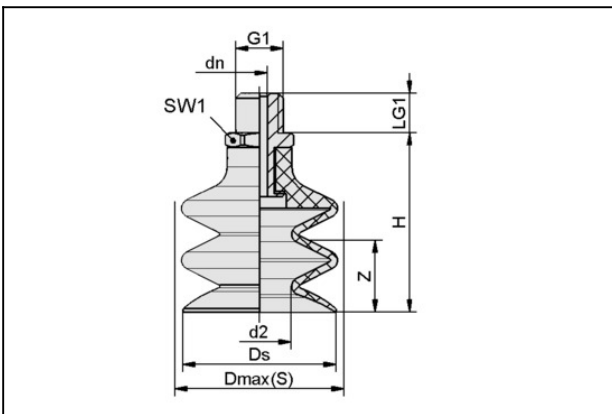
Material property: imprint-free

Nipple material: Aluminium

Vacuum connection: G1/8"-M

Number of folds: 2.5

Design Data



Attribute	Value
d2	10.5 mm
dn	3.5 mm
Dmax(S)	21 mm
Ds	20 mm
G1	G1/8"-M
H	28.1 mm
LG1	7.5 mm
SW1	14 mm
Z (Stroke)	9 mm

Technical Data

Contact to Schmalz

J. Schmalz GmbH | Johannes-Schmalz-Straße, 72293 Glatten, Deutschland | +49 7443 2403-102 | customercenter@schmalz.de

Bell suction cup (round)

FSG 20 HT1-60 G1/8-AG

Part no.:10.01.06.01239

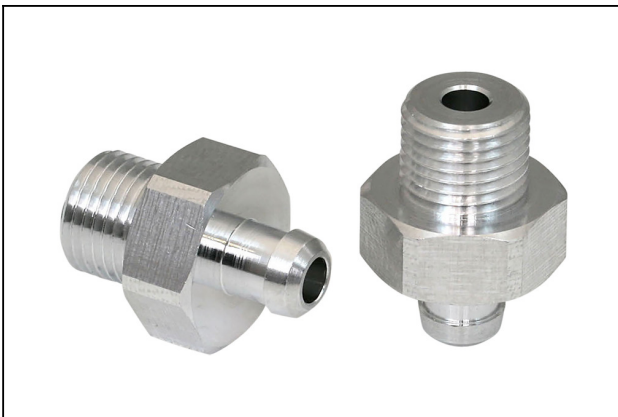
<https://www.schmalz.com/10.01.06.01239>



Attribute	Value
Suction cup material	High temp material HT1
Material hardness [Shore A]	60 Shore A
Size	20
Number of folds	2.5
Connection	G1/8-AG
Curve radius (min) (convex)	30 mm
Volume	2.298 cm ³
Suction force (-600mbar)	5.2 N
Pull-off force	12.1 N
Hose diameter (empf.) d	4 mm
Weight	6 g
Product family	FSG

Note: Suction force: The specified suction forces are theoretical values at a vacuum of -0.6 bar and with a smooth, dry workpiece surface - they do not include a safety factor Pull-off force: The pull-off force of the versions made of natural rubber is reduced by about 40% Hose diameter: The recommended hose diameter refers to a hose length of approx. 2 m

Spare Parts



SA-NIP N016 G1/8-AG DN350

Part no.10.01.06.05735

Suction cup connection nipple

Nipple: N 016

Thread G1: G1/8"-M

Overall length: 20 mm

Fitting length: 6 mm

Nominal size: 3,50 mm

Material: Aluminium

Contact to Schmalz

J. Schmalz GmbH | Johannes-Schmalz-Straße, 72293 Glatten, Deutschland | +49 7443 2403-102 | customercenter@schmalz.de

Bell suction cup (round)

FSG 20 HT1-60 G1/8-AG

Part no.:10.01.06.01239

<https://www.schmalz.com/10.01.06.01239>



FG 20 HT1-60 N016

Part no.10.01.06.01253

Bellows suction cup (round) for very uneven workpieces

Size: 20

Suction cup material:

High temp material HT1

Material hardness: 60 °Sh

Number of folds: 2.5

Material property: imprint-free

Accessories



FD 16 120

Part no.10.01.06.02565

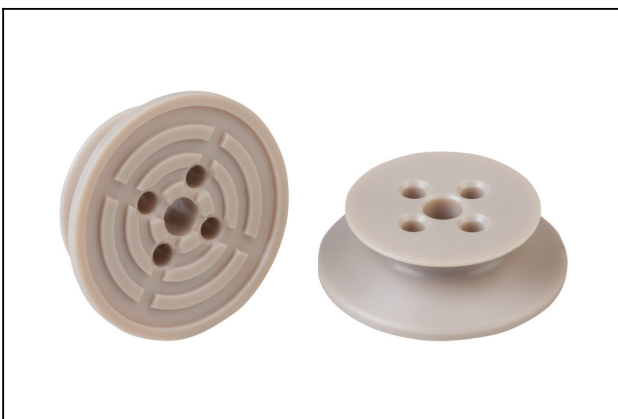
Filter disc

External diameter D: 16 mm

Filter pore size: 120 µm

for: Bellows suction cup

Size: FG20/FGA20



SPI 21 PEEK

Part no.10.01.06.03285

Suction cup insert for handling of sensitive workpieces without leaving marks

Size: 21

Material: Polyetheretherketon